

**ECO TYPE COPPER TUBE CRIMPING LUGS
FOR COPPER CONDUCTORS****DESCRIPTION**

-Copper pipes are used during production to prevent breakage during the tightening process and to prevent relaxation modulus after the tightening process.

-Copper with %99.9 conductivity is used in the production.

-%100 Tin Platin is made in the range of 5-8 micron.

EACH CONNECTOR IS MARKED AS FOLLOWS

- Gwest trade mark and reference number.
- Nature and size of conductor (mm²).
- d1 stud (mm).

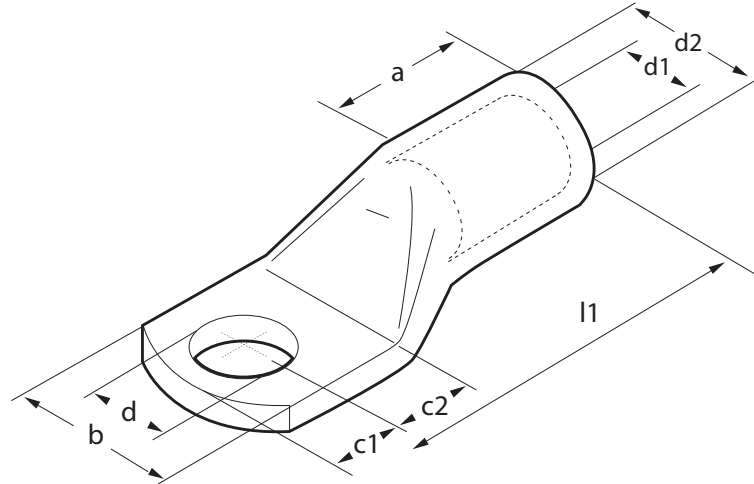
MARKINGS

- According to RoHS
- According to ISO 9001 standard.

PRODUCT DATA SHEET

ECO TYPE COPPER TUBE CRIMPING LUGS FOR COPPER CONDUCTORS

SECTIONS AND DIMENSIONS



CABLE SECTION mm ²	PRODUCT CODE	BORE DIAMETER Ø	DIMENSIONS (mm)							
			d	d1	d2	l1	a	b	c1	c2
16 mm ²	SKP-E 16-6	M6	6,4	5,5	7,0	24,5	11,0	10,5	5,5	6,5
	SKP-E 16-8	M8	8,3	5,5	7,0	24,5	11,0	10,5	5,5	6,5
25 mm ²	SKP-E 25-6	M6	6,5	7,0	9,0	31,7	12,0	13,0	6,8	9,2
	SKP-E 25-8	M8	8,3	7,0	9,0	31,7	12,0	13,0	6,8	9,2
35 mm ²	SKP-E 35-6	M6	6,5	8,5	10,5	35,2	14,0	15,5	8,3	9,7
	SKP-E 35-8	M8	8,3	8,5	10,5	35,2	14,0	15,5	8,3	9,7
50 mm ²	SKP-E 50-8	M8	8,2	10,0	12,0	41,5	17,0	17,9	10,0	12,0
	SKP-E 50-10	M10	10,3	10,0	12,0	41,5	17,0	17,9	10,0	12,0
70 mm ²	SKP-E 70-10	M10	10,3	11,5	14,0	45,5	18,0	20,7	10,0	12,0
	SKP-E 70-12	M12	13,0	11,5	14,0	45,5	18,0	20,7	10,0	12,0
95 mm ²	SKP-E 95-10	M10	10,3	13,5	16,0	48,5	21,0	23,5	10,0	12,0
	SKP-E 95-12	M12	12,8	13,5	16,0	48,5	21,0	23,5	10,0	12,0
120 mm ²	SKP-E 120-10	M10	10,5	15,5	18,0	58,0	25,0	26,7	13,0	14,5
	SKP-E 120-12	M12	12,8	15,5	18,0	58,0	25,0	26,7	13,0	14,5
150 mm ²	SKP-E 150-10	M10	10,5	16,5	20,0	59,5	26,0	29,2	16,5	16,5
	SKP-E 150-12	M12	12,8	16,5	20,0	59,5	26,0	29,2	16,5	16,5
185 mm ²	SKP-E 185-12	M12	10,5	18,5	22,0	65,0	29,0	32,3	17,0	18,0
	SKP-E 185-16	M16	16,5	18,5	22,0	65,0	29,0	32,3	17,0	18,0
240 mm ²	SKP-E 240-12	M12	13,0	21,5	25,5	74,0	33,0	37,6	17,0	18,0
	SKP-E 240-16	M16	16,5	21,5	25,5	74,0	33,0	37,6	17,0	18,0